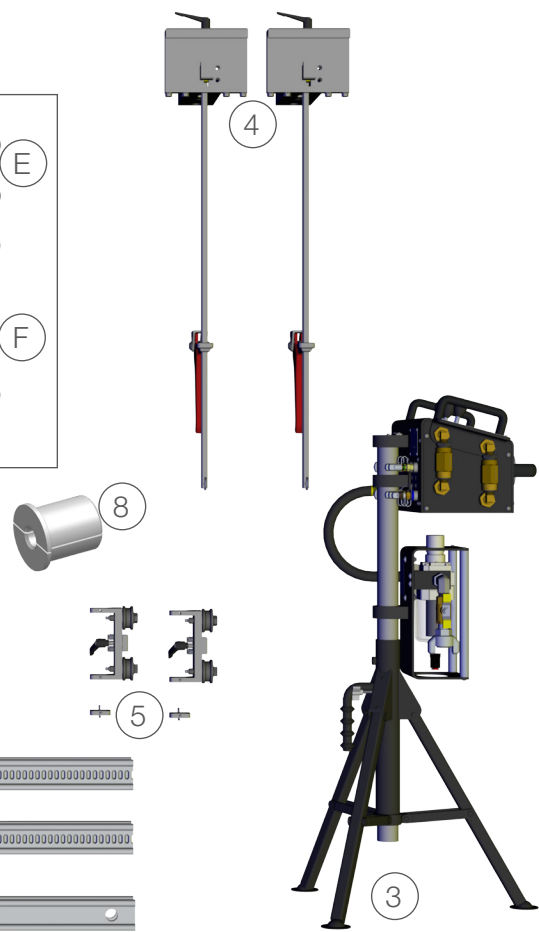
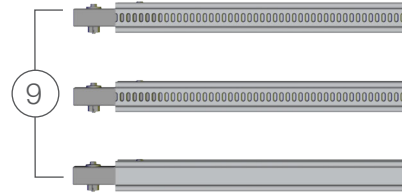
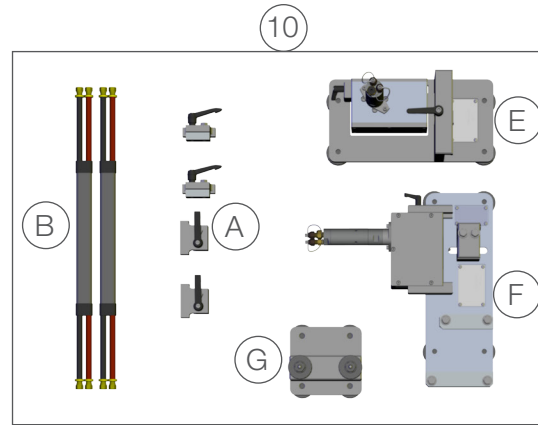
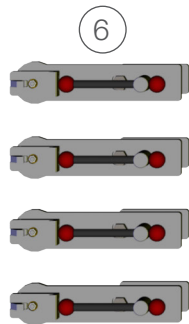
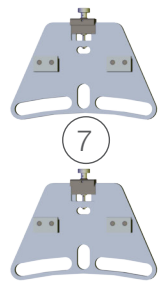
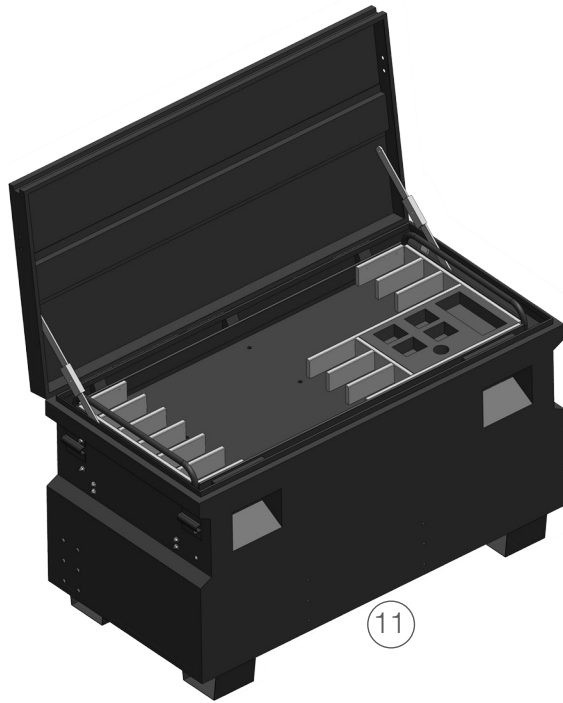


AUTO-LWP-PRO PACKAGE PARTS LIST



MORE INFORMATION

LWP-500-V2 MANUAL

FF-XX MANUAL

CB-ABX-PRO MANUAL

| # | PART | DESCRIPTION | QTY |
|----|----------------|---|-----|
| 1 | BR 002-3.5-001 | Rail, 3.5', 2.5" Box, w/round holes | 1 |
| 2 | BU 002-3.5-001 | Rail, 3.5', 2.5" Slotted w/round holes | 2 |
| 3 | CB-ABX-PRO | Control Panel Assy, ABX-PRO | 1 |
| 4 | FF 102 | Fin Fan Clamp Assy, 30" | 2 |
| 5 | FF 160 | Lower Support Bracket Assy | 2 |
| 6 | LWP 518 | Quick Clamp Assy | 4 |
| 7 | LWP 519 | Plate Clamp Assy | 2 |
| 8 | LWP 560-56 | Hardline Collet, 9/16 Lance | 1 |
| 9 | LWP 582-2-V2 | LWP Rail Extension Kit, 2' (2 Slotted Rail, 1 Box Rail) (w/round holes) | 1 |
| 10 | LWP-500.1 | Lightweight Positioner Parts (SEE LIST THIS PAGE) | 1 |
| 11 | GPT 066-LWP | Box, AutoPack LWP, w/Dividers | 1 |

| LWP-500.1 PARTS LIST | | | |
|----------------------|--------------|---------------------------|-----|
| # | PART | DESCRIPTION | QTY |
| A | BU 152 | Rail Stop Assembly | 4 |
| B | CB 371-25 | Hose Bundle Assembly | 2 |
| C | GSB 313-0075 | BHCS 6-32 X .188 LG SS | 8 |
| D | LWP 203-002 | CE Serial Plate | 1 |
| E | LWP 501 | Horizontal Drive Assembly | 1 |
| F | LWP 502 | Vertical Drive Assembly | 1 |
| G | SRT 560 | Blank Horizontal Assembly | 1 |