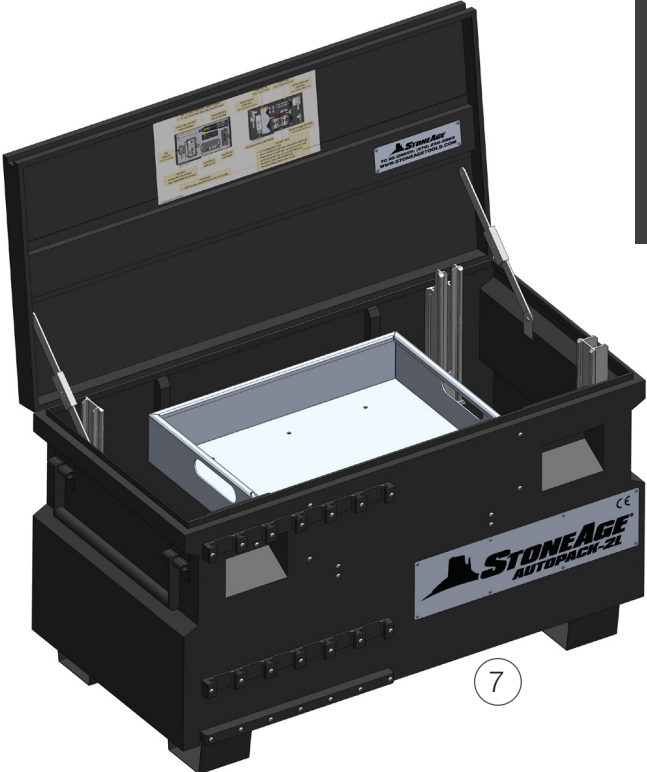
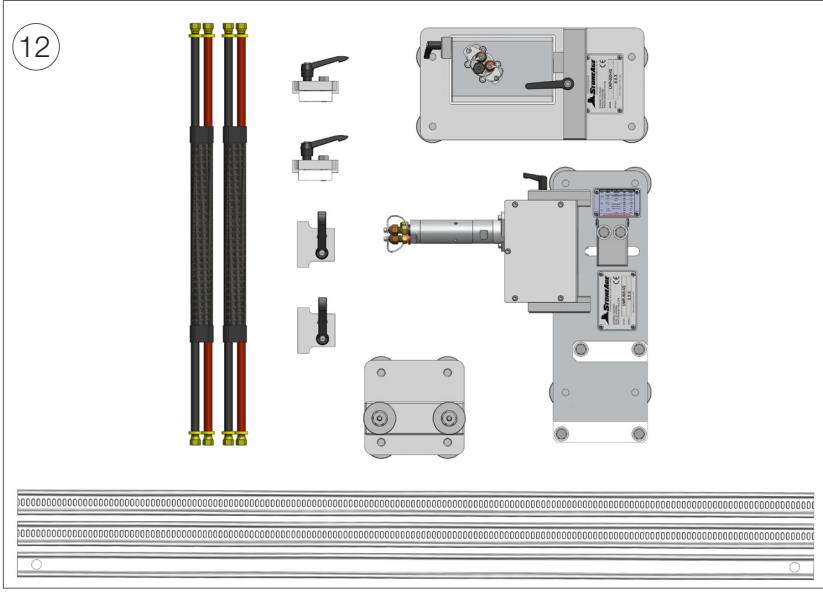


(SEE NEXT PAGE FOR CASE CONTENTS)



#	PART NUMBER	DESCRIPTION	QTY
1	ABX 27?-K	KIT, ROLLER X6, AUTOBOX 2L PLACE HOLDER	1
2	ABX 369-???-K	KIT, MANIFOLD	1
3	ABX 630-12	KIT, 12" TUBES w/ ADAPTERS	1
4	ABX-201	GUIDE ASSEMBLY	1
5	ABX-2L-V2	AUTOBOX 200 ASSY 8mm UPGRADE	1
6	CB-ABX	ABX-500/ABX-2L CONTROL PANEL	1
7	GPT 067-2L	CHEST, AE AND LWP	1
8	GPT 107	2L COLLET AND HOSE STOP KIT	1
9	GPT 310	TOOL BAG, 18"	2
10	LWP 621	KIT, QUICK CLAMP ASSEMBLY, 4 PCS	1
11	LWP 622	KIT, PLATE CLAMP ASSEMBLY, 2 PCS	1
12	LWP-500-6-V2	LIGHTWEIGHT POSITIONER, 6FT	1

**COLOR CODE CHART FOR MANUALS:**

- LWP-500-V2 USER MANUAL
- ABX-2L-V2 USER MANUAL
- CB-ABX USER MANUAL



#	PART NUMBER	DESCRIPTION	QTY.
1	ABX 121-297	HOSE STOP COLLET, .297	1
2	ABX 121-328	HOSE STOP COLLET, .328	1
3	ABX 121-406	HOSE STOP COLLET, .406	1
4	ABX 121-438	HOSE STOP COLLET, .438	1
5	ABX 121-460	HOSE STOP COLLET, .460	1
6	ABX 121-484	HOSE STOP COLLET, .484	1
7	ABX 121-516	HOSE STOP COLLET, .516	1
8	ABX 121-547	HOSE STOP COLLET, .547	1
9	ABX 121-594	HOSE STOP COLLET, .594	1
10	ABX 121-625	HOSE STOP COLLET, .625	1
11	GPT 023-140	HEX DRIVER, 9/64"	1
12	GPT 081	COLLET KIT CASE WITH PLAIN FOAM INSERTS	1
13	GPT 300.2.2	FOAM, 2L/3L & CHS, LAYER 2, COLLET BOX SECTION	1
14	HS 121-27-34	HOSE STOP CLAMP ASSEMBLY, .27-.34	2
15	HS 121-34-42	HOSE STOP CLAMP ASSEMBLY, .34-.42	2
16	HS 121-42-50	HOSE STOP CLAMP ASSEMBLY, .42-.50	2
17	HS 121-50-56	HOSE STOP CLAMP ASSEMBLY, .50-.56	2
18	HS 121-56-61	HOSE STOP CLAMP ASSEMBLY, .56-.61	2