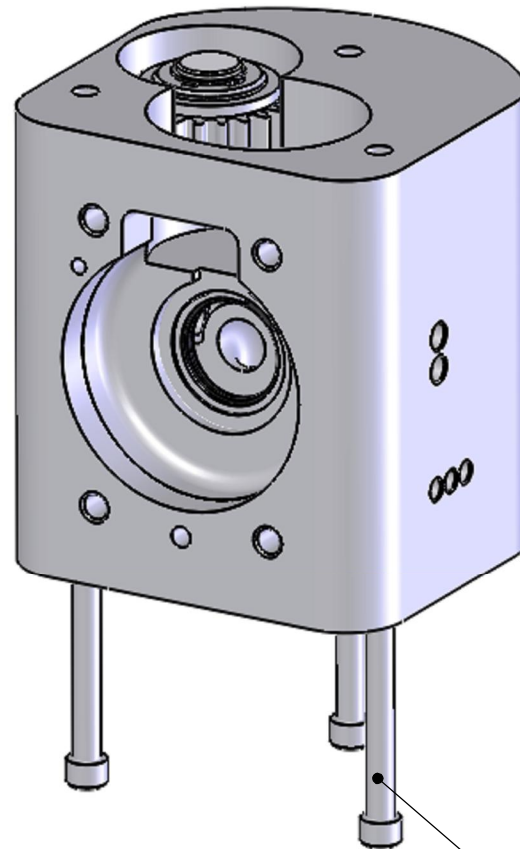


TR-200 FASTENER ASSEMBLY INSTRUCTIONS

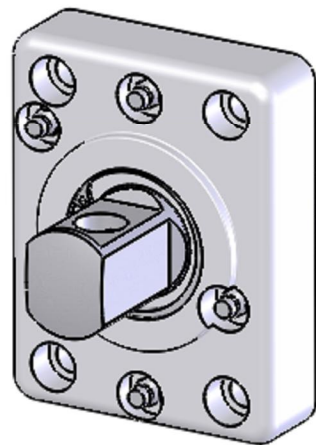
4X GS 325-03 SCREWS
 SHCS .25-20 X 0.75 SS
 APPLY BLUE LOCTITE (#242) TO THREADS
 TORQUE TO 84 IN-LBS (7 FT-LBS)



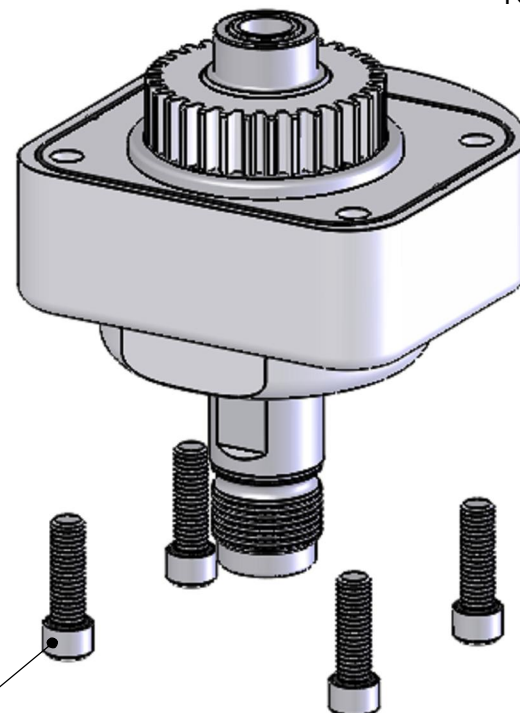
4X TR200 216 SEALING SCREWS
 SHCS .25-20 X 6.25 SS
 APPLY BLUE LOCTITE (#242) TO THREADS
 TORQUE TO 84 IN-LBS (7 FT-LBS)



3X GS 331-22 SCREWS
 SHCS .31-18 X 5.50 SS
 APPLY BLUE LOCTITE (#242) TO THREADS
 TORQUE TO 144 IN-LBS (12 FT-LBS)



4X TR117 SEALING SCREWS
 SHCS .37-16 X 1.25 SS
 APPLY BLUE GOOP TO THREADS
 TORQUE TO 252 IN-LBS (21 FT-LBS)



4X TR117 SEALING SCREWS
 SHCS .37-16 X 1.25 SS
 APPLY BLUE GOOP TO THREADS
 TORQUE TO 252 IN-LBS (21 FT-LBS)