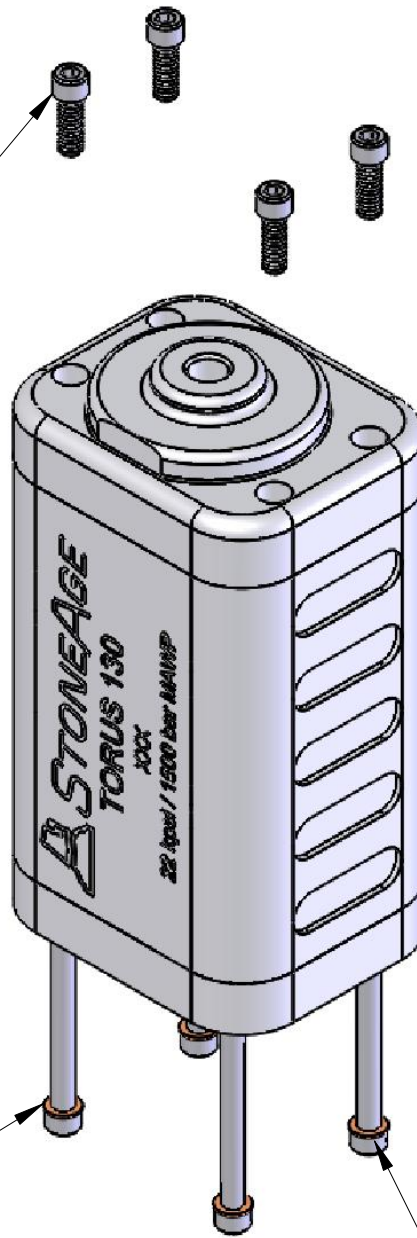


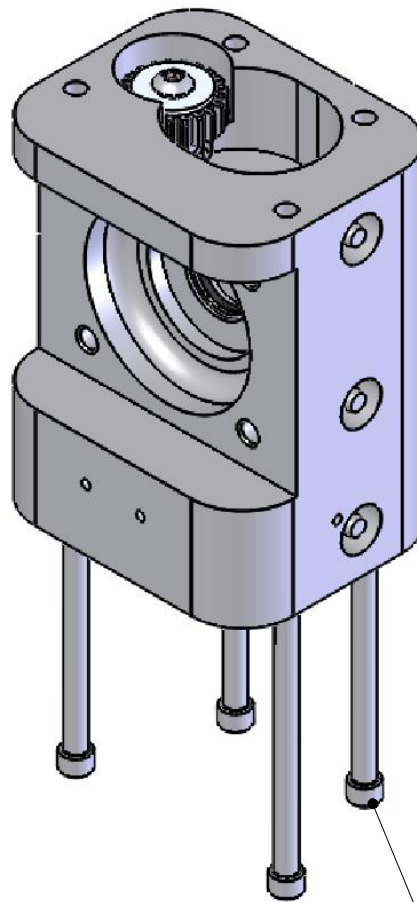
TR-130 FASTENER ASSEMBLY INSTRUCTIONS

4X TB 050 SCREWS
 SHCS .25-20 X 0.75 SS
 APPLY BLUE LOCTITE (#242) TO THREADS
 TORQUE TO 84 IN-LBS (7 FT-LBS)

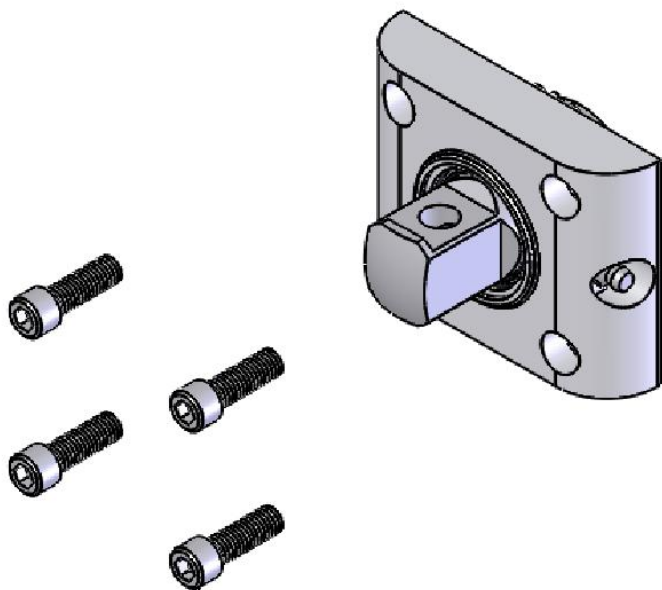


4X GP 200 BSPP4 COPPER RINGS

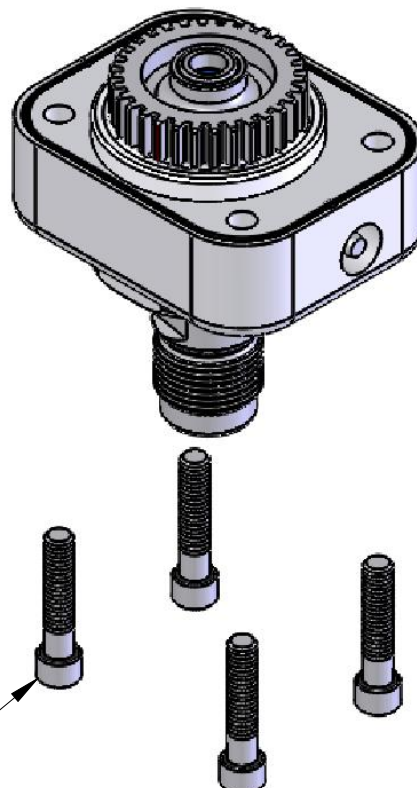
4X GS 325-20 SCREWS
 SHCS .25-20 X 5.00 SS
 APPLY BLUE LOCTITE (#242) TO THREADS
 TORQUE TO 84 IN-LBS (7 FT-LBS)



4X GS 325-20 SCREWS
 SHCS .25-20 X 5.00 SS
 APPLY BLUE LOCTITE (#242) TO THREADS
 TORQUE TO 84 IN-LBS (7 FT-LBS)



4X TR130 175 SEALING SCREWS
 SHCS .312-18 X 1.00 SS
 APPLY BLUE GOOP TO THREADS
 TORQUE TO 144 IN-LBS (12 FT-LBS)



4X TR130 115 SEALING SCREWS
 SHCS .312-18 X 1.50 SS
 APPLY BLUE GOOP TO THREADS
 TORQUE TO 144 IN-LBS (12 FT-LBS)