

SPINCAT
DOWNHOLE TOOLS BY **STONEAGE**®

SPINCAT SC 287 ROTARY NOZZLE USER MANUAL



PL 542 REV B
(05/2018)

TABLE OF CONTENTS

MANUFACTURER'S INFORMATION	3
SPECIFICATIONS.....	3
DESCRIPTION OF EQUIPMENT AND INTENDED USE	3
KEY FEATURES	3
SYSTEM ASSEMBLY - OVERVIEW	4
PRE-RIH CHECKLIST	5
LUBRICANT REPLACEMENT INSTRUCTIONS	6
HIGH PRESSURE SEAL REPLACEMENT	7
DISASSEMBLY	8
ASSEMBLY	10
TROUBLESHOOTING	13
TOOL STORAGE	13
REPLACEMENT PART WEAR INFORMATION	14
MAINTENANCE, PARTS, AND OVERHAUL KITS	15
TERMS AND CONDITIONS AND WARRANTY	16

StoneAge Inc.
 466 S. Skylane Drive
 Durango, CO 81303, USA
 Phone: 970-259-2869
 Toll Free: 866-795-1586
 www.stoneagetools.com

StoneAge Europe
 Unit 2, Britannia Business Centre
 Britannia Way
 Malvern WR14 1GZ
 United Kingdom
 Phone: +44 (0) 1684 892065

This manual must be used in accordance with all applicable national laws. The manual shall be regarded as a part of the machine and shall be kept for reference until the final dismantling of the machine, as defined by applicable national law(s).

Updated manuals can be downloaded at:
<https://www.stoneagetools.com/manuals>

SPECIFICATIONS

Tool Family:	SpinCat	
Tool Model:	SC-287	
Pressure Range:	1-5k psi (70-340 bar)	
Flow Range:	1 to 3 bpm (40 to 120 gpm)	
Flow Rating:	7.5 Cv	
Rotation Speed:	80-150 rpm	
Inlet Connection:	2-3/8 PAC	
PSI Loss (@ 1 bpm):	31 psi (2 bar)	
Tension (pull):	Safe load to 20000 lbs (9072 kg)	
Compression (set down):	Safe load to 25000 lbs (11340 kg)	
Outside Diameter:	2.87 in.	7.3 cm
Overall Length:	15.6 in.	39.6 cm
Weight:	20 lbs	9.1 kg
Maximum Temperature:	390° F	200° C

JETTING

The standard nozzle head has five ports with 1/8 NPT threads — one at 15 degrees forward, two at 45 degrees forward, and two at 90 degrees to the axis of rotation. Some of the ports may be plugged in a balanced pattern to concentrate the flow in a particular direction. Fit-for-purpose head and porting designs are available to accommodate specific flow rates and applications.

DESCRIPTION OF EQUIPMENT AND INTENDED USE

SpinCat tools provide a durable, controlled rotation solution for well intervention.

A viscous fluid governor controls rotation speed to maximize jet power delivered to the tubing walls. By using only a few rotating jets, each jet is bigger to convey hard-hitting power. Replaceable jets are efficient and clean recesses and irregular surfaces without damaging the well pipe. Over thirty years of waterjet engineering back the SpinCat design, setting the standard for rotary nozzle performance and durability.

KEY FEATURES:

- Straight flow-through design with a leak-free high pressure seal, so pump power is not wasted.
- Performs at temperatures up to 200°C, with up to 30% HCL and Nitrogen injection.
- Rotating Assembly for Complete Coverage
- Easy Field Serviceability
- Durable Fluoro Elastomer Seals
- Computerized Flow Calculations
- Controlled Rotation, Increases Cleaning Power
- Carbide Nozzles, Deliver the Hardest Hitting, Longest Lasting Jet Possible

DESCRIPTION:

The SpinCat™ is a self-rotating nozzle designed for coil tubing well service. The powerful rotating jets cover a large area for efficient cleaning. Jet reaction force (thrust) powers rotation of the head. An internal centrifugal speed control maintains rotation speeds of 80 to 150 rpm. The SpinCat™ uses a high viscosity synthetic gear oil for lubrication, such as Chevron HiPerSYN® 220, Mobil SHC™ 630 or an equivalent. The oil is available from StoneAge® as part number SC250 048.

The tool has a straight flow-through design with a leak-free high pressure seal so pump power is not wasted. It has a 2-3/8 P.A.C. box inlet thread. The tool can be used at temperatures up to 150°C (300°F), and can be used with up to 30% HCL and Nitrogen injection. (Note: if used with HCL, flush tool with clean water after use.)

If the SpinCat™ will be used with high external borehole pressures, make certain that the body of the tool is completely full of lubricating fluid; air pockets are compressible and this could lead to oil seal failure and loss of lubrication.

The SpinCat™ can be used at operating pressures of 1000 to 5000 psi and flow rates of 1 to 3 bpm (42 to 126 gpm) with standard head porting. Custom porting can be ordered for use up to 5 bpm (210 gpm).

FLOW RANGE	
PRESSURE	R20
1000-5000 PSI	1-3 BPM

The standard nozzle head has five ports with 1/8 npt threads; one at 15 degrees forward, two at 45 degrees forward and two at 90 degrees to the axis of rotation. Some of the ports may be plugged in a balanced pattern to concentrate the flow in a particular direction. Alternate head porting patterns may be added to the same head to accommodate different flow rates. Hi-flow Flushing, Perf Stim, and Forward Cutting configurations are available. Verify with SpinCat™ Jetting App that porting changes result in sufficient torque to ensure rotation.

⚠ DANGER

Operations with this equipment can be potentially hazardous. Caution must be exercised prior to and during machine and water jet tool use. Please read and follow all of these instructions, in addition to the guidelines in the WJTA Recommended Practices handbook, available online at www.wjta.org. Deviating from safety instructions and recommended practices can lead to severe injury and/or death.

PRE-RIH CHECKLIST:

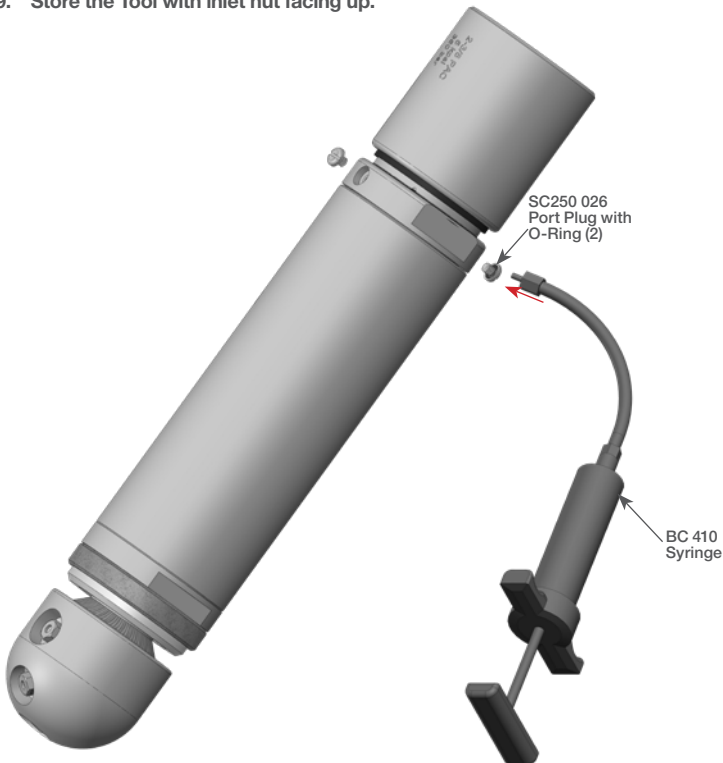
- After receipt on location, visually inspect the SpinCat™ to ensure no small debris has entered the tool. NOTE: The SpinCat™ package includes a briefcase size Pelican® case. We recommend keeping the SpinCat™ and spare set screws and other parts inside the case.
- Verify the threaded orifice nozzles are clear and installed correctly. DO NOT insert hard wire or nails or other objects into the orifices to verify that they are clear. Use a flashlight. Newly manufactured orifice nozzles now have flow straighteners inside the orifices. These improve the quality of the jet stream. Remember to filter or screen the fluids keeping particles to a size no larger than 1/3 the ID of the orifice nozzle. Example: CNP2 125 orifice nozzle: $0.125 \div 3 = 0.041$ max particle size.
- Verify there is no oil leaking from the set screw or body. If the set screw is missing and oil has leaked out then use a StoneAge® service kit syringe and refill the oil. IMPORTANT: Be sure to take time to work the air bubbles out of the oil.
- Turn the SpinCat™ head by hand. It should rotate very smoothly but not spin freely. There should not be any stoppage or feeling of binding or catching internally.
- Ensure the wiper seal on the inlet nut is in place. The function of this seal is to prevent debris from plugging the vent holes. The vent hole's function is to vent internal pressure build-up should the high pressure (HP) tungsten impregnated seal fail or leak intermittently while reseating itself. If the wiper seal is lost or missing it can be replaced with a suitable size Viton® O-Ring as a temporary measure.
- The SpinCat™ is made of hardened stainless steel for long service life with strong acids, chemicals and solvents. We recommend you do not use pipe wrenches on the SpinCat™. Customers who have SpinCats™ 2-4 years old and are still in excellent condition, NEVER use pipe wrenches on their SpinCats™. Over time teeth cuts accumulate on the inlet nut, the body and head and “chew up” the tool. Eventually these parts have to be replaced unnecessarily. Some customers do not feel this is of significant importance and if replacement parts becomes necessary we can supply them.
- When function testing, watch for leakage around the orifice nozzles. Also watch for leakage along the body and behind the head. This indicates an improperly redressed tool. Also watch for leakage from around the wiper seal, the high pressure seal might leak during initial pressurization but should stop once enough pressure to achieve rotation has been reached. The only place water should be exiting the tool is through the nozzles. The head should rotate slowly and smoothly.
- If the head does not rotate during a function test but it rotates easily by hand, it could be the pump rate and pressure must be increased or the tool is simply “tight” or “cold,” or there is very heavy oil in the tool and it will loosen up in the hole, or the SpinCat™ may be jetted improperly. Check the SpinCat™ Jetting App. A simple but frequent problem in function tests is the test fluid does not contain viscosity reducer but the job requires it due to extremely high friction pressures.

LUBRICANT FILL INSTRUCTIONS

TOPPING OFF LUBRICANT:

The SpinCat™ uses synthetic gear oil for a lubricant. To top off the tool with lubricant, follow steps below. If the tool is being rebuilt or the seal replaced, the lubricant may be poured directly into the body around the shaft before the inlet nut is installed. Once the inlet nut is installed, it is recommended to use the syringe with the port screw ports to completely remove all air bubbles. High bore hole pressures make this a critically important step when assembling the tool. The procedure requires some patience, time and effort i.e. rotating the body back and forth to work out all air bubbles, wait, repeat. If a vice is available in the field we recommend removing the inlet nut and topping off through the open top, working the air bubbles out by rotating the body and allowing to sit.

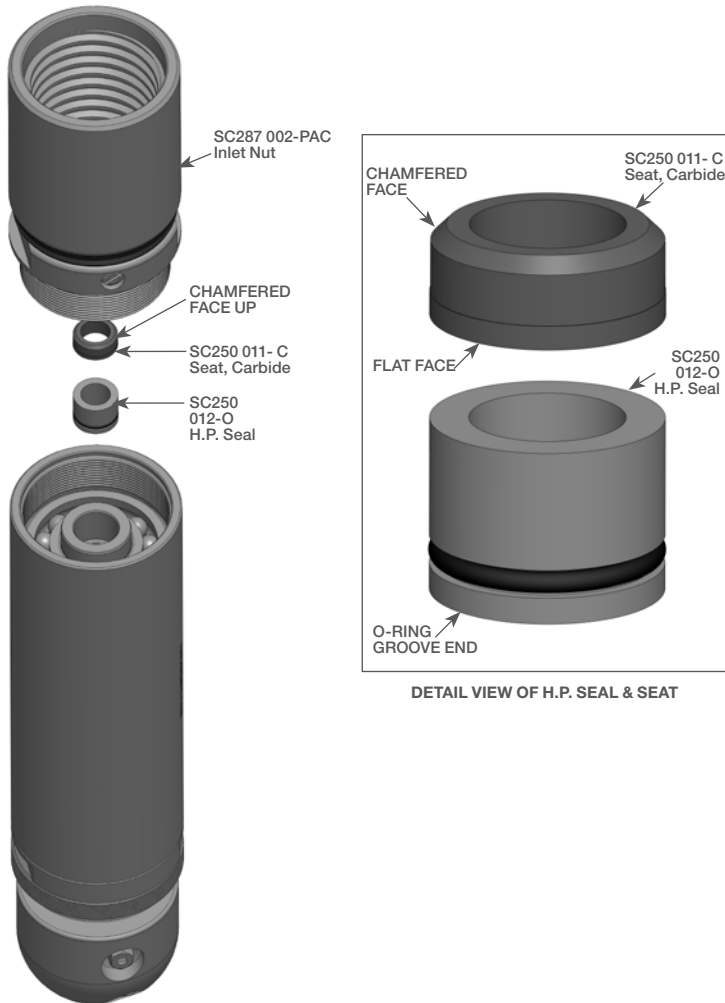
1. Tilt the tool at a 45 degree angle and secure so that one port screw is at the topmost point
2. Fill the syringe (BC 410) with lubricant.
3. Remove both Port Plugs (SC250 026).
4. Thread the syringe into bottom port screw.
5. Hold the tool at an angle so the port with the syringe is lower.
6. Squeeze fluid into the tool until all air bubbles stop coming out.
7. Rotate the body back and forth from the head to work air bubbles out and inject oil.
Repeat
8. Re-install the Port Plugs.
9. Store the Tool with inlet nut facing up.



HIGH PRESSURE SEAL REPLACEMENT

TO REPLACE THE HIGH PRESSURE SEAL:

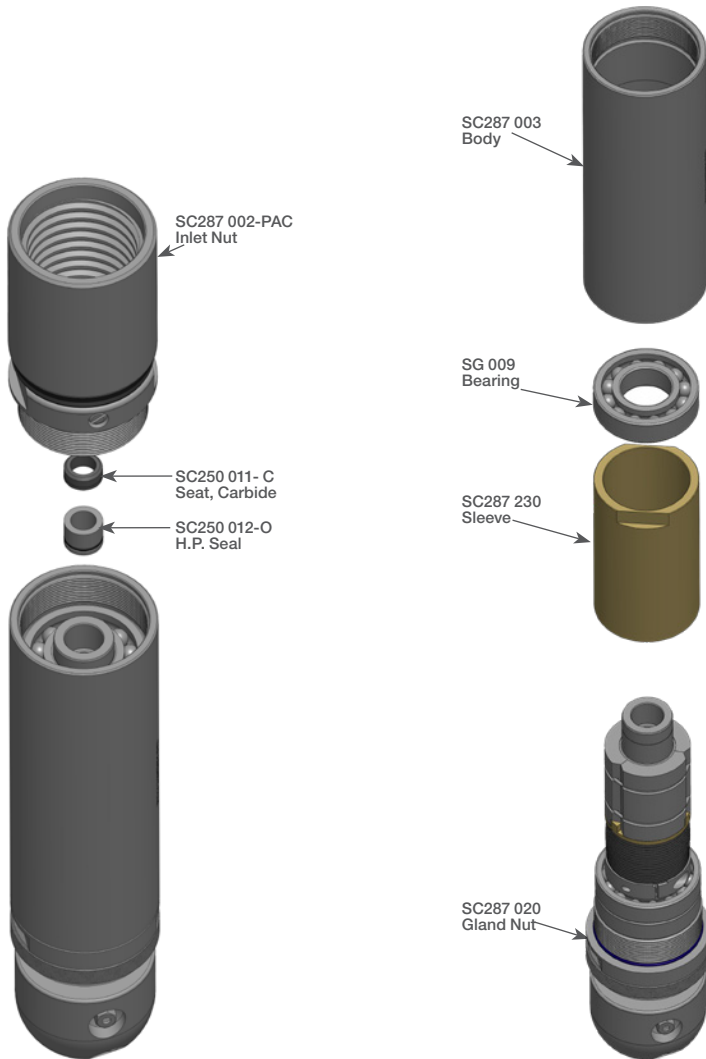
1. Unscrew the Inlet Nut (SC287 002-PAC).
2. Remove the old Seat (SC250 011-C) and H.P. Seal (SC250 012-O).
3. Apply grease to and install new H.P. Seal into the shaft with the O-Ring groove end going in first.
4. Install new Seat (SC250 011-C) with the chamfered face toward Inlet Nut.
5. Thread Inlet Nut into Body; tighten to 50 ft-lb.
6. Top up the lubricant using the syringe as detailed in the maintenance section at left.
7. Re-install the Port Plugs.



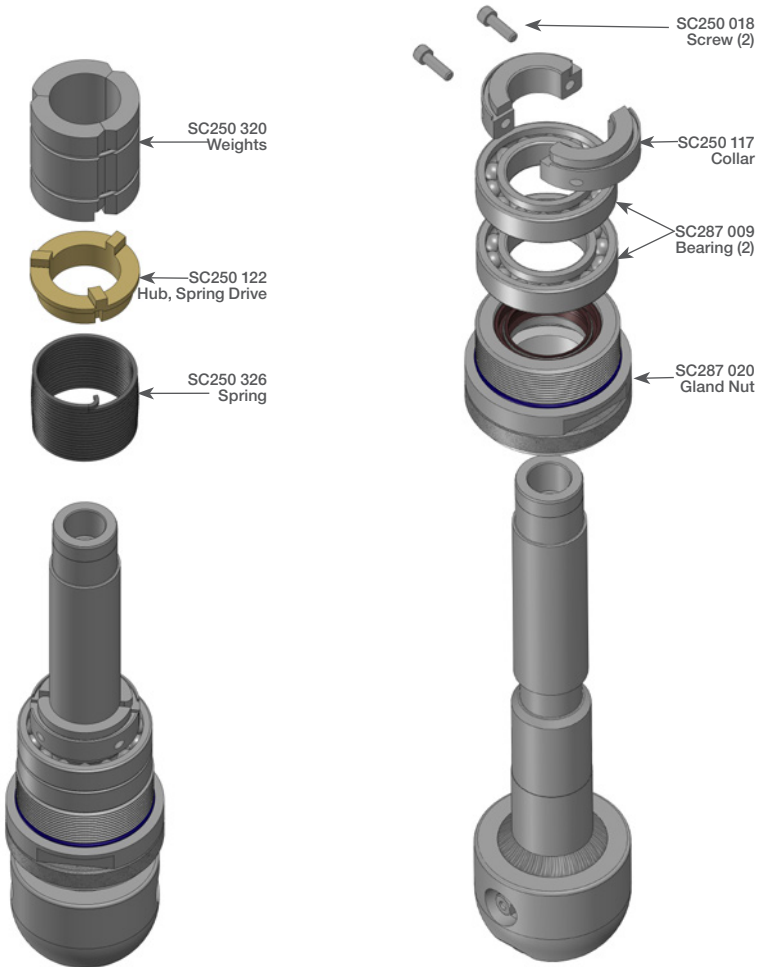
DISASSEMBLY

TO DISASSEMBLE THE SPINCAT SC-287:

1. Unscrew the Inlet Nut (SC287 002-PAC) from the body.
2. Remove the Seat (SC250 011-C) and H.P. Seal (SC250 012-O) from the bore of the Shaft.
3. Remove the Shaft Seal (SC250 006) from the Inlet Nut.
4. Unscrew the Body (SC287 003) from the Gland Nut (SC287 020).
5. Pull off Bearing (SG 009) from Shaft; remove the Sleeve (SC287 230).



6. Lift off Weights (SC250 320), Hub (SC250 122) and Spring (SC250 326).
7. Remove Collar (SC250 117) from Shaft.
8. Press off Bearings (SC287 009); remove Gland Nut (SC287 020). It is not necessary to separate the Carbide Retainer (SC287 030) or the Carbide Ring (SC287 031) from the Gland Nut.
9. Remove the two Shaft Seals (SC250 007) from the Gland Nut.

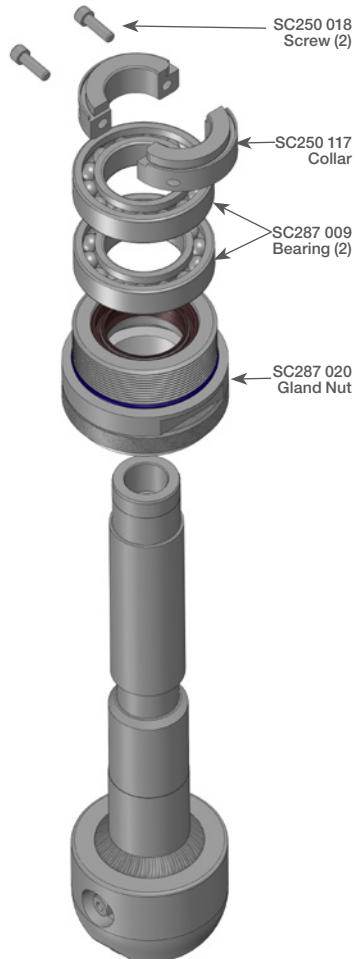
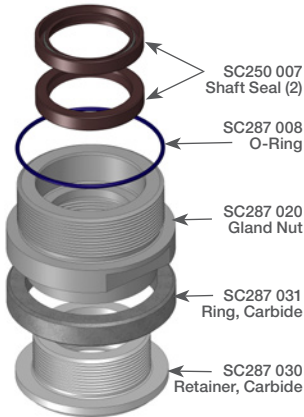
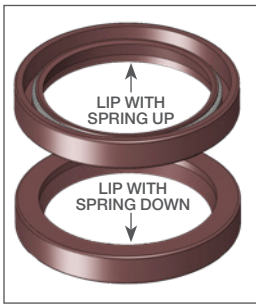


ASSEMBLY

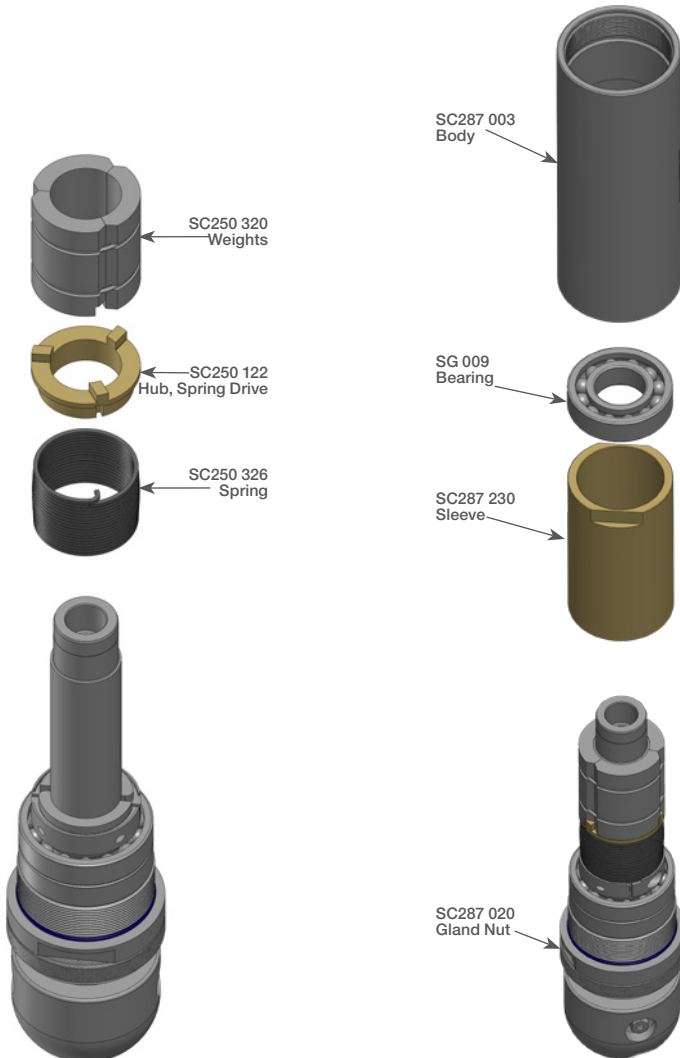
TO ASSEMBLE THE SPINCAT SC-287:

1. Install Carbide Ring (SC287 031) and Carbide Retainer (SC287 030) onto Gland Nut using Loctite® Blue #242.
2. Install Shaft Seals (SC250 007) in Gland Nut (SC287 020) as shown. Lubricate the seals prior to installing. The use of a seal installation tool (SC250 106) is recommended.
3. Install O-Ring (SC287 008) over threads of Gland Nut.
4. Slide Gland Nut onto Shaft.
5. Press Bearings (SC250 009) onto Shaft, down far enough to allow placing of Collar (SC250 117) in its groove.
6. Install Collar (SC250 117) around Shaft, above bearings. Tighten screws to 15 in-lb. If there is a gap between the bearings and the collar, the bearings need to be pushed back up against the Collar.

DETAIL VIEW OF SHAFT SEALS

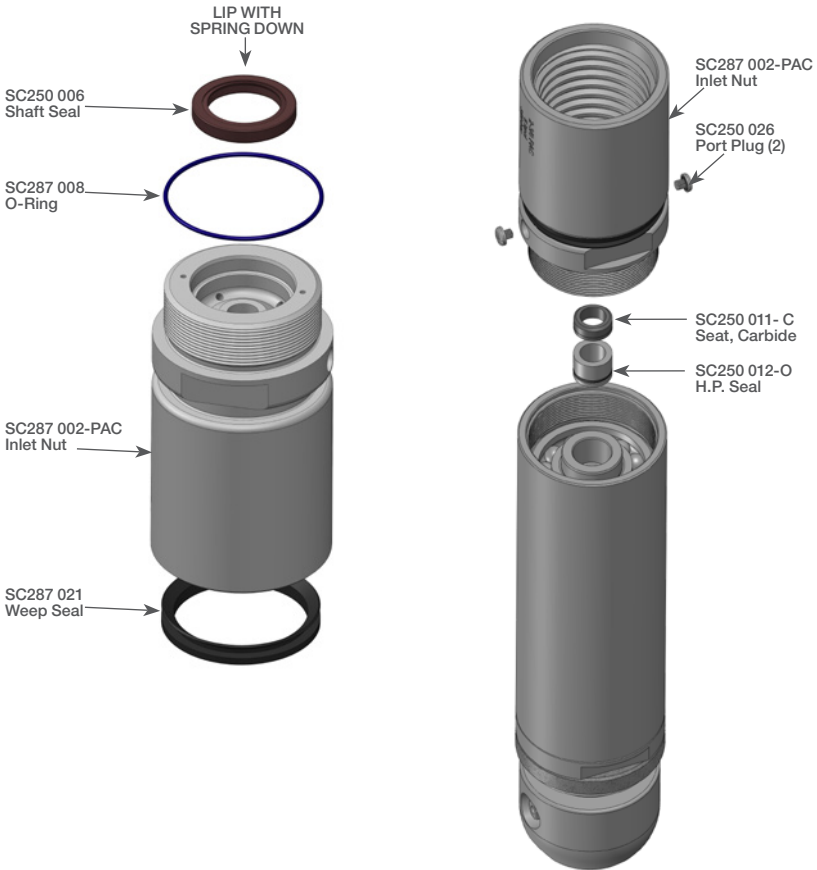


7. Place Spring (SC250 326) over Shaft; tang on Spring fits into slot between Collar Halves.
8. Install Hub (SC250 122); tang on Spring should go into one slot on Hub.
9. Install Weights (SC250 320).
10. Install Sleeve (SC287 230).
11. Install Bearing (SG 009) over Shaft, down against Sleeve.



ASSEMBLY

12. Apply anti-seize to threads and thread Body (SC287 003) onto Gland Nut.
13. Install Shaft Seal (SC250 006) in Inlet Nut (SC287 002-PAC) as shown. Lubricate the seal prior to installing. The use of a seal installation tool (SC250 106) is recommended.
14. Install O-Ring (SC287 008) and Weep Seal (SC287 021).
15. Install H.P. Seal (SC250 012-O) and Seat (SC250 011-C) as shown in the Maintenance Section.
16. Pour lubricating fluid into Body until completely filled, allow time for air to bubble out. Refer to the maintenance section for the importance of eliminating the air during assembly. Apply anti-seize to threads and install Inlet Nut into Body. Tighten Inlet Nut to 50 ft-lb.



HIGH-PRESSURE SEAL LEAK:

- The high pressure seal may leak initially at lower pressures, but should pop closed as pressure is increased. A continuous leak at operating pressure from the weep holes indicates the need to replace the HP Seal and Seat. HP Seals wearing out too quickly can be an indication that the HP Seat is installed upside-down, or the tool is rotating too fast. If the tool is leaking, but not over rotating, the SC287 602 Seal Kit is required.

TOOL WILL NOT ROTATE:

- Check the nozzles for plugging or wear (nozzles have to be removed to check for obstructions).
- Check that the nozzle sizes are correct for the desired flow and that the desired flow matches the head flow range.
- Check that the nozzle sizes are installed in a balanced configuration.
- If the tool feels rough when manually rotating the head, this indicates internal damage and SC287 610 Overhaul Kit will be required.
- Check head by hand to make sure it rotates freely. If it does not rotate freely by hand, the tool needs to be disassembled and repaired. Research from field reports show that exceeding set-down weight may bend the head/shaft ever so slightly and prevent rotation.

LOCK-UP TROUBLESHOOTING TIP:

- Rotate in reverse 1 1/4 to 1 1/2 turns to unlock braking mechanism. If tool rotates smoothly then redress may not be required.
- If the head rotates freely by hand, check the jet sizes and calculate pressure loss thru the coil tubing and check with your distributor or StoneAge® to make certain there is enough jet torque to provide rotation.
- Verify using the SpinCat™ Jetting app, contact your factory authorized SpinCat™ dealer or contact StoneAge®, Inc.

TOOL ROTATES TOO FAST:

- If the head rotates too fast, clean out old lubricating fluid and replace with fresh lubricant.
- If tool is showing heavy scuffing damage to body, we suggest that the customer install an available fluted body on the SpinCat™.

STORAGE

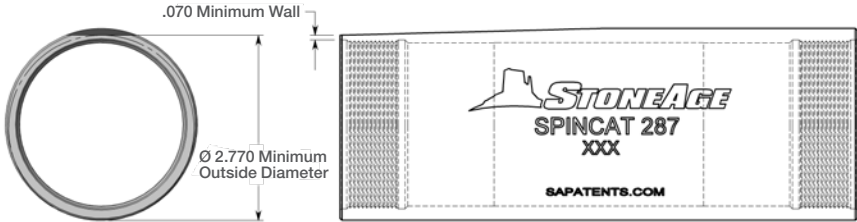
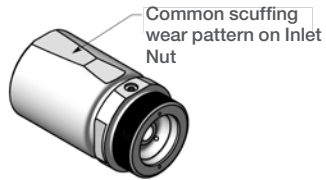
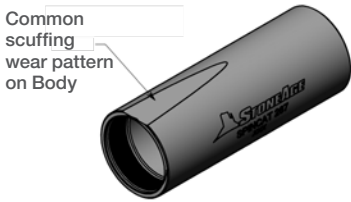
TOOL STORAGE:

The SpinCat™ should NOT be stored in a used condition with wellbore and pumped fluids possibly migrating into the lubricant chamber. Flush with fresh water and perform a seal redress after HCL, Xylene or Toluene chemical treatment jobs. Downhole tools, especially thru tubing tools tend to be stored upside down in tool racks with threaded stubs welded to rack base. Storing the SpinCat™ in this manner allows air to collect at the top of the lubricant chamber. We recommend the SpinCat™ be stored with inlet nut facing up to avoid this air pocket. The SpinCat™ may also be stored horizontally.

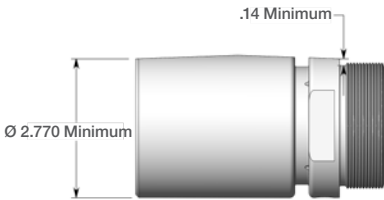
REPLACEMENT PART WEAR INFORMATION

• BODY AND INLET NUT WEAR:

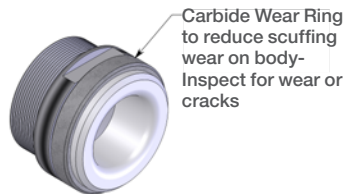
Follow these wear dimension guidelines to determine when to replace parts.



SC287 003 Body Scuffing Wear



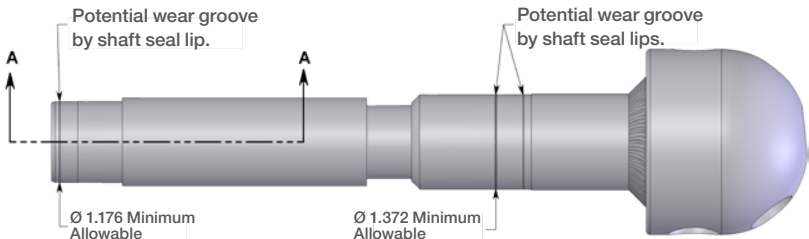
SC287 002 Inlet Nut Scuffing Wear



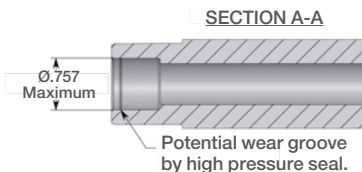
SC287 020 Gland Assembly

• SHAFT/HEAD WEAR:

Follow these wear dimension guidelines to determine when to replace parts.



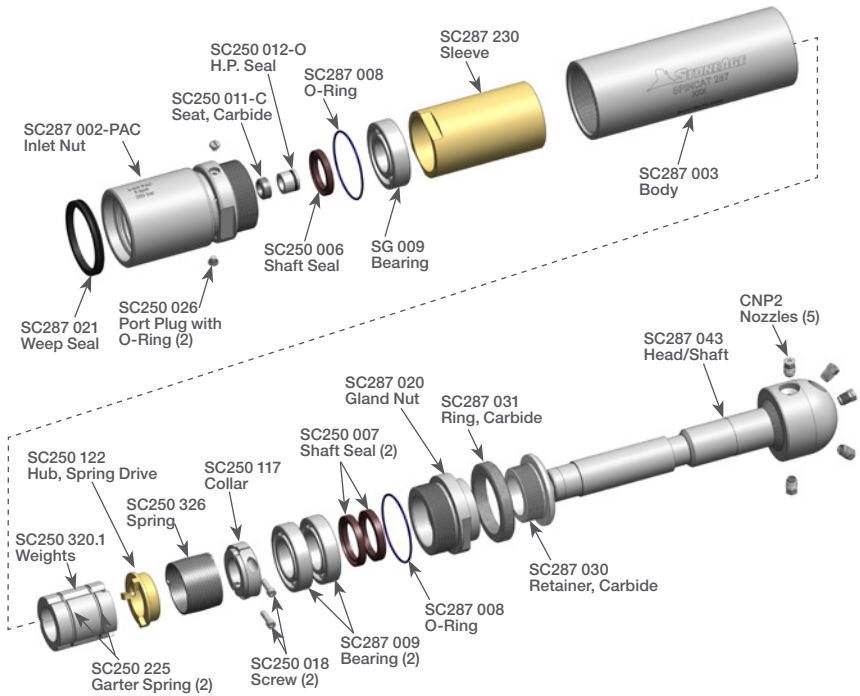
SC287 043 Shaft/Head Wear



NOTE: Scuffing wear on head does not affect balance or rotation. Head should be replaced when properly installed nozzle inserts extend beyond the head or body diameter to prevent rapid wear and potential failure of the nozzle inserts.

Inspect nozzle orifices for wear out of round. Replace if visibly worn.

PARTS OVERVIEW



MAINTENANCE & OVERHAUL KIT PARTS

SC287 600 – LUBRICATION KIT

- 1 BC 410 Syringe, 20CC
- 1 PL 542 SC-287 Manual Insert
- 2 SC250 026 Port Plug with O-Ring
- 1 SC250 048 High Temp Visc, Not for SC-H, 6oz

SC287 602 -SEAL REDRESS KIT

- 1 BJ 062-S Anti-seize, 2g
- 1 PL 542 SC-287 Manual Insert
- 1 SC250 006 Shaft Seal, Small
- 2 SC250 007 Shaft Seal, Large
- 1 SC250 011-C Carbide Seat
- 1 SC250 012-O HP/ High Temp Seal + O-Ring
- 2 SC250 026 Port Plug with O-Ring
- 1 SC250 048 High Temp Visc, Not for SC-H, 6oz
- 2 SC287 008 O-Ring, Viton
- 1 SC287 021 Weep Seal

SC287 610 - OVERHAUL KIT

- 1 BJ 062-S Anti-seize, 2g
- 1 PL 542 SC-287 Manual Insert
- 1 SC250 006 Shaft Seal, Small
- 2 SC250 007 Shaft Seal, Large
- 1 SC250 011-C Carbide Seat
- 1 SC250 012-O HP/ High Temp Seal + O-Ring
- 2 SC250 026 Port Plug with O-Ring
- 1 SC250 048 High Temp Visc, Not for SC-H, 6oz
- 1 SC250 326 Spring
- 2 SC287 008 O-Ring, Viton
- 2 SC287 009 Bearing
- 1 SC287 021 Weep Seal
- 1 SC287 230 Bronze Sleeve
- 1 SG 009 Bearing, Ball

SC287 612 - TOOL KIT

- 1 SC250 106 Tool, Double Ended Seal
- 1 PL 542 SC-287 Manual Insert

TERMS AND CONDITIONS AND WARRANTY INFORMATION

1. Acceptance of Terms and Conditions. Receipt of these Terms and Conditions of Sale ("Terms and Conditions") shall operate as the acceptance by StoneAge, Inc. ("Seller") of the order submitted by the purchaser ("Buyer"). Such acceptance is made expressly conditional on assent by Buyer to these Terms and Conditions. Such assent shall be deemed to have been given unless written notice of objection to any of these Terms and Conditions (including inconsistencies between Buyer's purchase order and this acceptance) is given by Buyer to Seller promptly on receipt hereof.

Seller desires to provide Buyer with prompt and efficient service. However, to individually negotiate the terms of each sales contract would substantially impair Seller's ability to provide such service. Accordingly, the product(s) furnished by Seller are sold only according to the terms and conditions stated herein and with the terms and conditions stated in any effective StoneAge Dealer Agreement or StoneAge Reseller Agreement, if applicable. Notwithstanding any terms and conditions on Buyer's order, Seller's performance of any contract is expressly made conditional on Buyer's agreement to these Terms and Conditions unless otherwise specifically agreed to in writing by Seller. In the absence of such agreement, commencement of performance, shipment and/or delivery shall be for Buyer's convenience only and shall not be deemed or construed to be an acceptance of Buyer's terms and conditions.

2. Payment/Prices. Unless other arrangements have been made in writing between Seller and Buyer, payment for the product(s) shall be made upon receipt of invoice. The prices shown on the face hereof are those currently in effect. Prices invoiced shall be per pricelist in effect at the time of shipment. Prices are subject to increase for inclusion of any and all taxes which are applicable and which arise from the sale, delivery or use of the product(s), and the collection of which Seller is or may be responsible to provide to any governmental authority, unless acceptable exemption certificates are provided by Buyer in accordance with applicable law. Buyer shall pay all charges for transportation and delivery and all excise, order, occupation, use or similar taxes, duties, levies, charges or surcharges applicable to the product(s) being purchased, whether now in effect or hereafter imposed by any governmental authority, foreign or domestic.

3. Warranty. SELLER MAKES NO WARRANTIES OR REPRESENTATIONS AS TO THE PERFORMANCE OF ANY PRODUCT EXCEPT AS SET FORTH IN THE STONEAGE LIMITED WARRANTY PROVIDED WITH THE PRODUCT.

4. Delivery. Seller is not obligated to make delivery by a specified date, but will always use its best efforts to make delivery within the time requested. The proposed shipment date is an estimate. Seller will notify Buyer promptly of any material delay and will specify the revised delivery date as soon as practicable. UNDER NO CIRCUMSTANCES SHALL SELLER HAVE ANY LIABILITY WHATSOEVER FOR LOSS OF USE OR FOR ANY DIRECT OR CONSEQUENTIAL DAMAGES RESULTING FROM DELAY REGARDLESS OF THE REASON(S).

All product(s) will be shipped F.O.B. point of origin, unless specifically agreed otherwise, and Buyer shall pay all shipping costs and insurance costs from that point. Seller, in its sole discretion, will determine and arrange the means and manner of transportation of the product(s). Buyer shall bear all risk of loss commencing with the shipment or distribution of the product(s) from Seller's warehouse. Order shortages or errors must be reported within fifteen (15) business days from receipt of shipment to secure adjustment. No product(s) may be returned without securing written approval from Seller.

5. Modification. These Terms and Conditions are intended by Seller and Buyer to constitute a final, complete and exclusive expression of agreement relating to the subject matter hereof and cannot be supplemented or amended without Seller's prior written approval.

6. Omission. Seller's waiver of any breach or Seller's failure to enforce any of these Terms and Conditions at any time, shall not in any way affect, limit or waive Seller's right thereafter to enforce and compel strict compliance with every term and condition hereof.

7. Severability. If any provision of these Terms and Conditions is held to be invalid or unenforceable, such invalidity or unenforceability shall not affect the validity or enforceability of the other portions hereof.

TERMS AND CONDITIONS AND WARRANTY INFORMATION

8. Disputes. Seller and Buyer shall attempt in good faith to promptly resolve any dispute arising under these Terms and Conditions by negotiations between representatives who have authority to settle the controversy. If unsuccessful, Seller and Buyer shall further attempt in good faith to settle the dispute by nonbinding third-party mediation, with fees and expenses of such mediation apportioned equally to each side. Any dispute not so resolved by negotiation or mediation may then be submitted to a court of competent jurisdiction in accordance with the terms hereof. These procedures are the exclusive procedures for the resolution of all such disputes between the Seller and Buyer.

9. Governing Law. All sales, agreements for sale, offers to sell, proposals, acknowledgments and contracts of sale, including, but not limited to, purchase orders accepted by Seller, shall be considered a contract under the laws of the State of Colorado and the rights and duties of all persons, and the construction and effect of all provisions hereof shall be governed by and construed according to the laws of such state.

STONEAGE TRADEMARK LIST

View the list of StoneAge's trademarks and service marks and learn how the trademarks should be used. Use of StoneAge trademarks may be prohibited, unless expressly authorized.

<http://www.StoneAgetools.com/trademark-list/>

STONEAGE PATENT DATA

View the list of StoneAge's current U.S. patent numbers and descriptions.

<http://www.sapatents.com>

STONEAGE TERMS AND WARRANTY

View StoneAge's Terms and Warranty Conditions online.

<http://www.stoneagetools.com/terms>

<http://www.stoneagetools.com/warranty>

10. Jurisdiction and Venue. Seller and Buyer agree that the state or federal courts located within the City and County of Denver, Colorado shall have sole and exclusive jurisdiction over any litigation concerning any dispute arising under these Terms and Conditions not otherwise resolved pursuant to Section 9 as well as any alleged defects of any Products or damages sustained as a result of such alleged defects. Seller and Buyer further agree that should any litigation be commenced in connection with such a dispute, it shall only be commenced in such courts. Seller and Buyer agree to the exclusive jurisdiction of such courts and neither will raise any objection to the jurisdiction and venue of such courts, including as a result of inconvenience.

11. Attorney's Fees. If any litigation is commenced between Seller and Buyer, or their personal representatives, concerning any provision hereof, the party prevailing in the litigation shall be entitled, in addition to such other relief that is granted, to a reasonable sum as and for their attorneys' fees and costs in such litigation or mediation.

TERMS AND CONDITIONS AND WARRANTY INFORMATION

WARRANTY:

Warranties set forth herein extend only to End-Users, meaning customers acquiring, or that have previously acquired, a product manufactured by StoneAge ("Product") for their own use and not for resale, either directly from StoneAge Inc. ("StoneAge") or from a StoneAge Authorized Dealer or Reseller ("Dealer"). No warranty of any kind or nature is made by StoneAge beyond those expressly stated herein.

1. LIMITED WARRANTY PERIOD. Subject to the limitations and conditions hereinafter set forth, StoneAge warrants its Product to be free from defects in workmanship and material for a period of one (1) year from the date of purchase by the End-User, provided that the end of the limited warranty period shall not be later than eighteen (18) months from the date of shipment of the Product to the Dealer or the End-User by StoneAge ("Limited Warranty Period"). All replacement parts which are furnished under this Limited Warranty and properly installed shall be warranted to the same extent as the original Product under this Limited Warranty if, and only if, the original parts were found to be defective within the original Limited Warranty Period covering the original Product. Replacement parts are warranted for the remainder of the original Limited Warranty Period. This Limited Warranty does not cover any component part of any Product not manufactured by StoneAge. Any such component part is subject exclusively to the component manufacturer's warranty terms and conditions.

2. LIMITED WARRANTY COVERAGE. StoneAge's sole obligation under this Limited Warranty shall be, at StoneAge's option and upon StoneAge's inspection, to repair, replace or issue a credit for any Product which is determined by StoneAge to be defective in material or workmanship. StoneAge reserves the right to examine the alleged defective Product to determine whether this Limited Warranty is applicable, and final determination of limited warranty coverage lies solely with StoneAge. No statement or recommendation made by a StoneAge representative, Dealer or agent to End-User shall constitute a warranty by StoneAge or a waiver or modification to any of the provisions hereof or create any liability for StoneAge.

3. WARRANTY SERVICE PROVIDERS. Service and repair of the Product is to be performed only by StoneAge authorized service representatives, including Dealers who are authorized repair centers, with StoneAge approved parts. Information about StoneAge authorized service representatives can be obtained through the StoneAge website at www.stoneagetools.com/service. Unauthorized service, repair or

modification of the Product or use of parts not approved by StoneAge will void this Limited Warranty. StoneAge reserves the right to change or improve the material and design of the Product at any time without notice to End-User, and StoneAge is not obligated to make the same improvements during warranty service to any Product previously manufactured.

4. WARRANTY EXCLUSIONS. This Limited Warranty does not cover, and StoneAge shall not be responsible for the following, or damage caused by the following: (1) any Product that has been altered or modified in any way not approved by StoneAge in advance in writing; (2) any Product that has been operated under more severe conditions or beyond the rated capacity specified for that Product; (3) depreciation or damage caused by normal wear and tear, failure to follow operation or installation instructions, misuse, negligence or lack of proper protection during storage; (4) exposure to fire, moisture, water intrusion, electrical stress, insects, explosions, extraordinary weather and/or environmental conditions including, but not limited to lightning, natural disasters, storms, windstorms, hail, earthquakes, acts of God or any other force majeure event; (5) damage to any Product caused by any attempt to repair, replace, or service the Product by persons other than StoneAge authorized service representatives; (6) costs of normal maintenance parts and services; (7) damage sustained during unloading, shipment or transit of the Product; or (8) failure to perform the recommended periodic maintenance procedures listed in the Operator's Manual accompanying the Product.

5. REQUIRED WARRANTY PROCEDURES. To be eligible for warranty service, the End-User must: (1) report the Product defect to the entity where the Product was purchased (i.e. StoneAge or the Dealer) within the Limited Warranty Period specified in this Limited Warranty; (2) submit the original invoice to establish ownership and date of purchase; and (3) make the Product available to a StoneAge authorized service representative for inspection to determine eligibility for coverage under this Limited Warranty. This Limited Warranty shall not extend to any person or entity who fails to provide proof of original purchase from StoneAge or a Dealer. No Product may be returned for credit or adjustment without prior written permission from StoneAge.

TERMS AND CONDITIONS AND WARRANTY INFORMATION

6. **DISCLAIMER OF IMPLIED WARRANTIES AND OTHER REMEDIES.** EXCEPT AS EXPRESSLY STATED HEREIN (AND TO THE FULLEST EXTENT ALLOWED UNDER APPLICABLE LAW), STONEAGE HEREBY DISCLAIMS ALL OTHER WARRANTIES, EXPRESS OR IMPLIED, INCLUDING WITHOUT LIMITATION ALL IMPLIED WARRANTIES OF MERCHANTABILITY OR FITNESS FOR A PARTICULAR PURPOSE, AND ANY AND ALL WARRANTIES, REPRESENTATIONS OR PROMISES AS TO THE QUALITY, PERFORMANCE OR FREEDOM FROM DEFECT OF THE PRODUCT COVERED BY THIS LIMITED WARRANTY. STONEAGE FURTHER DISCLAIMS ALL IMPLIED INDEMNITIES.

7. **LIMITATION OF LIABILITY.** End-User specifically acknowledges that the Product may be operated at high speeds and/or pressures, and that as such it may be inherently dangerous if not used correctly. End-User shall familiarize itself with all operation materials provided by StoneAge and shall at all times use and require its agents, employees and contractors to use all necessary and appropriate safety devices, guards and proper safe operating procedures. In no event shall StoneAge be responsible for any injuries to persons or property caused directly or indirectly by the operation of the Product if End-User or any agent, employee, or contractor of End-User: (1) fails to use all necessary and appropriate safety devices, guards and proper safe operating procedures; (2) fails to maintain in good working order such safety devices and guards; (3) alters or modifies the Product in any way not approved by StoneAge in advance in writing; (4) allows the Product to be operated under more severe conditions or beyond the rated capacity specified for the Product; or (5) otherwise negligently operates the Product. End-User shall indemnify and hold StoneAge harmless from any and all liability or obligation incurred by or against StoneAge, including costs and attorneys' fees, to or by any person so injured.

TO THE FULL EXTENT ALLOWED BY APPLICABLE LAW, STONEAGE SHALL NOT BE LIABLE FOR ANY INDIRECT, SPECIAL, INCIDENTAL, CONSEQUENTIAL, OR PUNITIVE DAMAGES (INCLUDING WITHOUT LIMITATION, LOSS OF PROFITS, LOSS OF GOODWILL, DIMINUTION OF VALUE, WORK STOPPAGE, INTERRUPTION OF BUSINESS, RENTAL OF SUBSTITUTE PRODUCT, OR OTHER COMMERCIAL LOSS EVEN TO THE EXTENT SUCH DAMAGES WOULD CONSTITUTE DIRECT DAMAGES), WITH RESPECT TO THE COVERED STONEAGE PRODUCT, OR OTHERWISE IN CONNECTION WITH THIS LIMITED WARRANTY, REGARDLESS OF WHETHER STONEAGE HAS BEEN

ADVISED OF THE POSSIBILITY OF SUCH DAMAGES.

IT IS UNDERSTOOD THAT STONEAGE'S LIABILITY, WHETHER IN CONTRACT, IN TORT, UNDER ANY WARRANTY, IN NEGLIGENCE, OR OTHERWISE SHALL NOT EXCEED THE AMOUNT OF THE PURCHASE PRICE PAID BY THE END-USER FOR THE PRODUCT. STONEAGE'S MAXIMUM LIABILITY SHALL NOT EXCEED, AND END-USER'S REMEDY IS LIMITED TO EITHER (1) REPAIR OR REPLACEMENT OF THE DEFECTIVE WORKMANSHIP OR MATERIAL OR, AT STONEAGE'S OPTION, (2) REFUND OF THE PURCHASE PRICE, OR (3) ISSUANCE OF A CREDIT FOR THE PURCHASE PRICE, AND SUCH REMEDIES SHALL BE END-USER'S ENTIRE AND EXCLUSIVE REMEDY.

YOU, THE END-USER, UNDERSTAND AND EXPRESSLY AGREE THAT THE FOREGOING LIMITATIONS ON LIABILITY ARE PART OF THE CONSIDERATION IN THE PRICE OF THE STONEAGE PRODUCT YOU PURCHASED.

Some jurisdictions do not allow the limitation or exclusion of liability for certain damages, so the above limitations and exclusions may not apply to you. This Limited Warranty gives you specific legal rights, and you may also have other rights which vary from jurisdiction to jurisdiction. If any provisions of this Limited Warranty is held to be invalid or unenforceable, such invalidity or unenforceability shall not affect the validity or enforceability of the other portions hereof.



1-866-795-1586 • www.STONEAGETOOLS.com

© 2015 StoneAge, Inc. All Rights Reserved