



**OPERATING WATERBLASTING EQUIPMENT  
CAN BE POTENTIALLY HAZARDOUS.**  
SEE PAGE 121 FOR IMPORTANT SAFETY INFORMATION

# SURFACE PREPARATION

## STRIKER™

The Standard Striker is the perfect entry point for contractors who want to add a remote shotgun system to their fleet. The system offers a unique combination of portability and higher thrust capacity for maximum flexibility on the job site, at a fraction of the cost of other robotic options.

This modular system combines a rotary shotgun arm and a wheeled base for easy mobility to provide a powerful alternative to manual shotgun cleaning and surface preparation.

### FEATURES:

- Modular system designed for portability and easy assembly
- Remotely operated from outside the blast zone for safety
- Lightweight components for single operator setup and use
- Wheeled base for easy maneuverability
- Ergonomic control box offers intuitive remote operation
- Affordable alternative to complicated robotic systems
- No operator fatigue – higher productivity over time
- CE Certified

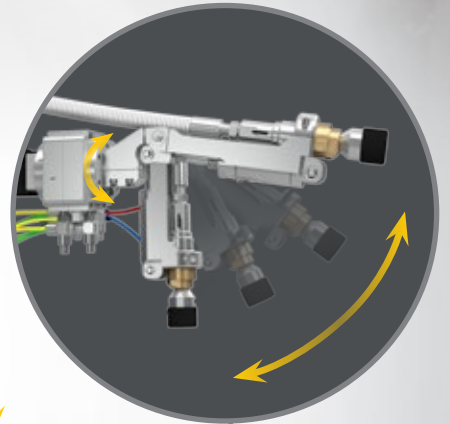
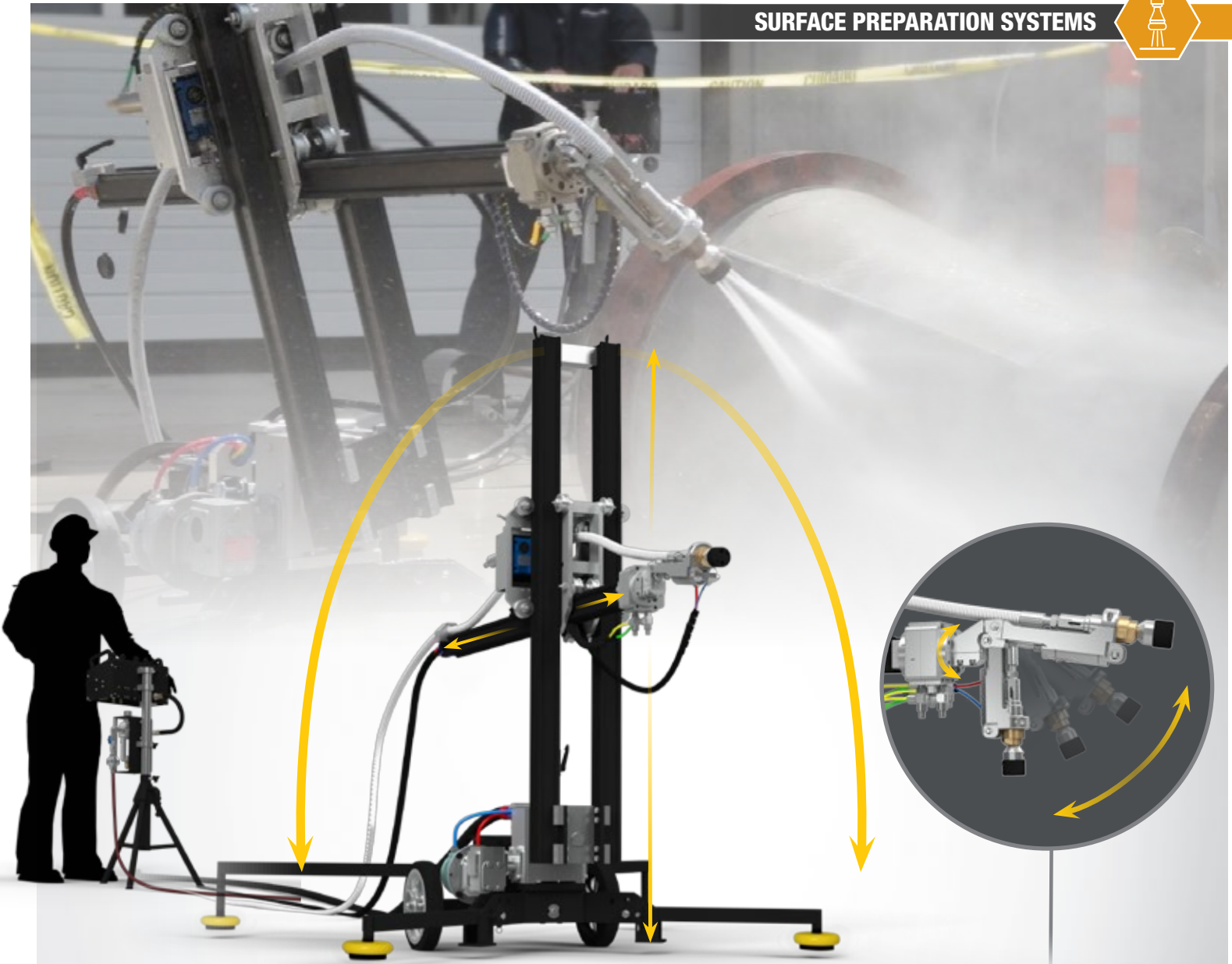
*\*Rotary nozzle and feed hose sold separately*



### SPECIFICATIONS

<b>PRESSURE RANGE</b>	Up to 40k psi (2000 bar)
<b>REACTION FORCE</b>	Up to 70 lb (310 N)
<b>CLEANING WINDOW DIMENSIONS</b>	52 in. H x 80 in. W x 46 in. D (1320 mm x 2030 mm x 1170 mm)
<b>WEIGHT</b>	260 lbs (118 kg)

 **STONEAGE®**  
ENGINEERING THE POWER OF WATER  
1-866-795-1586 • [WWW.STONEAGETOOLS.COM](http://WWW.STONEAGETOOLS.COM)

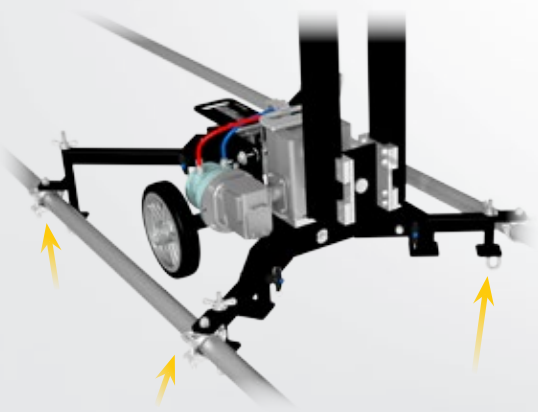


**3-D CLEANING CAPABILITY**

60 in. H x 84 in. W x 54 in. D  
(1525 mm x 2134 mm x 1372 mm)

**FULL WRIST ARTICULATION**

Allows the "wrist" of the Striker to both flex 80 degrees and rotate up to 270 degrees.



**OPTIONAL SCAFFOLD & J-HOOK MOUNTS**

Can be mounted to scaffolding or grating.



**MODULAR SYSTEM**

Designed for portability and easy assembly.



**CONTROL BOX**

Allows safe, remote operation of high pressure waterblast equipment.