



**OPERATING WATERBLASTING EQUIPMENT  
CAN BE POTENTIALLY HAZARDOUS.**

**SEE [WWW.STONEAGETOOLS.COM](http://WWW.STONEAGETOOLS.COM) FOR IMPORTANT  
SAFETY INFORMATION**



*This StoneAge Boiler Tube Cleaner is one of the best automated hydroblast tools ever made. We can perform the cleaning without vessel entry, and without touching a high pressure hose. What a great way to clean a boiler."*

**MARK BLANCHARD  
WATERWORKS INDUSTRIAL**

# FURNACE & BOILER CLEANING

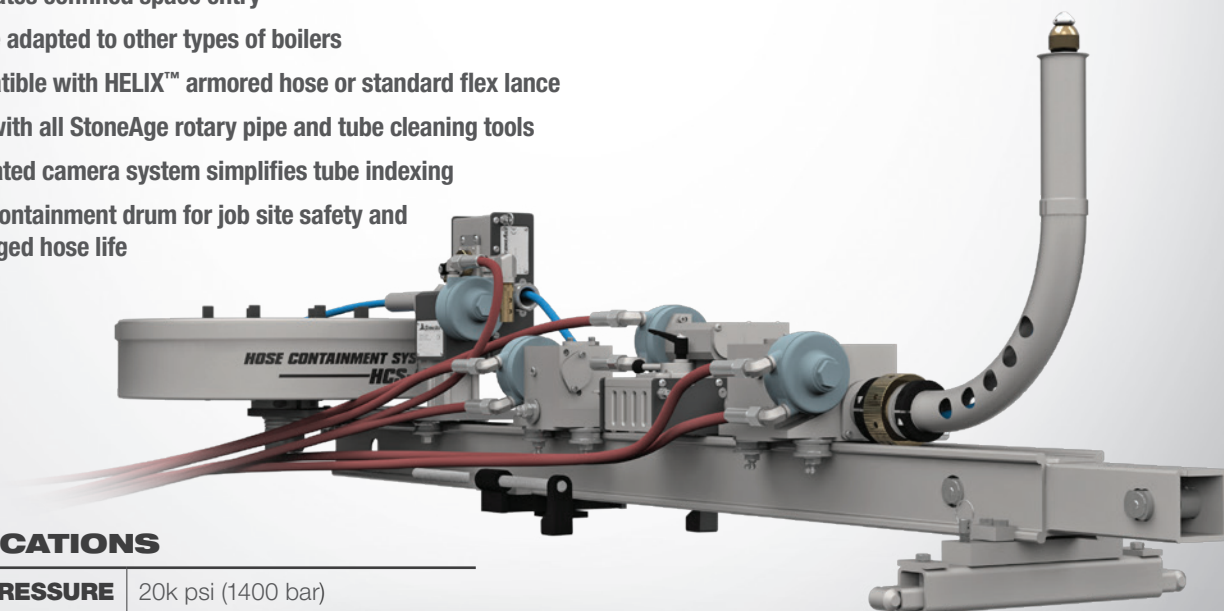
## BOILER TUBE CLEANER

The StoneAge BTC-200 Boiler Tube Cleaner cleans radial tubes found in the mud and steam drums of package boilers. It fits through a standard manway and cleans boiler tubes without the need for an operator to enter the vessel.

ABX-PRO Drive Technology delivers up to 50 lbs (23 kg) of push to clear plugged tubes and help the hose travel long distances through multiple bends.

### FEATURES:

- Eliminates confined space entry
- Can be adapted to other types of boilers
- Compatible with HELIX™ armored hose or standard flex lance
- Pairs with all StoneAge rotary pipe and tube cleaning tools
- Integrated camera system simplifies tube indexing
- Hose containment drum for job site safety and prolonged hose life

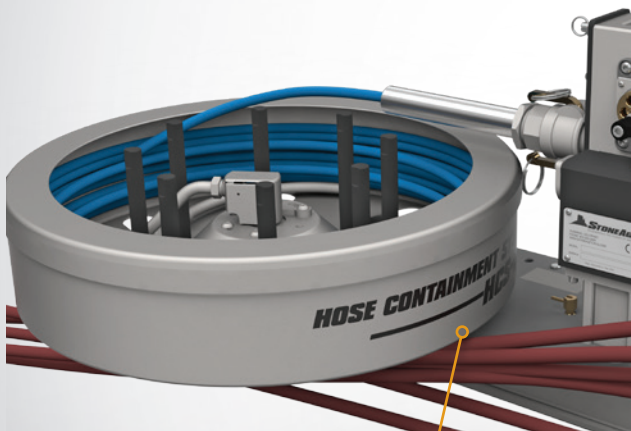
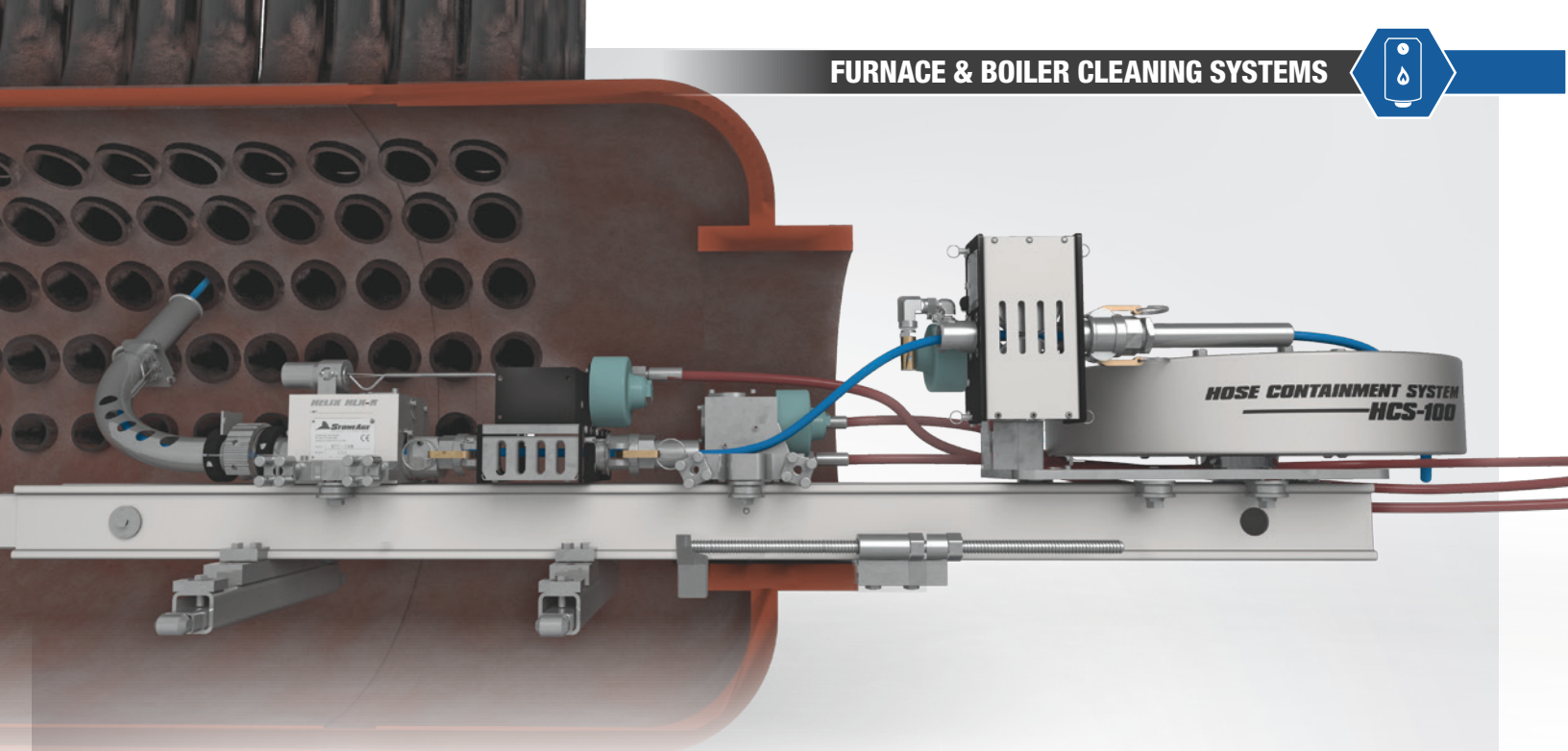


### SPECIFICATIONS

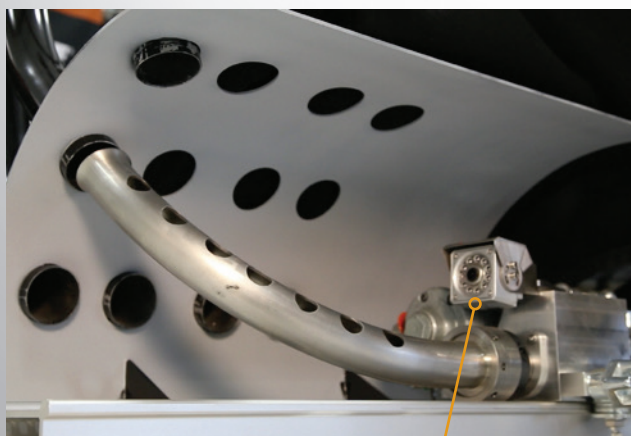
<b>MAX PRESSURE</b>	20k psi (1400 bar)
<b>FLOW RANGE</b>	5–12 gpm 19–45l/min
<b>HOSE I.D.</b>	5–6mm
<b>FEED RATE</b>	9–50 ft/min (2.7–15.2 m/min)
<b>MAX HOSE LENGTH</b>	75 ft (22 m)
<b>MAX TUBE LENGTH</b>	50 ft (15 m)

 **STONEAGE**<sup>®</sup>  
ENGINEERING THE POWER OF WATER  
1-866-795-1586 • [WWW.STONEAGETOOLS.COM](http://WWW.STONEAGETOOLS.COM)





**HOSE CONTAINMENT DRUM**  
For safe management and storage of high-pressure hose



**RUGGED CAMERA SYSTEM**  
Facilitates quick indexing of boiler tubes



**PRECISE, CONTROLLED HOSE FEED**  
Allows cleaning through multiple tube bends while protecting hose from damage